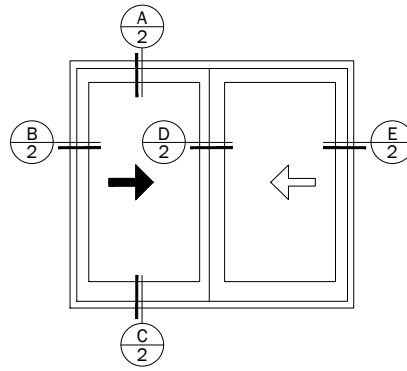


# 400 SERIES

## Gliding Windows



Gliding Window

### Notes:

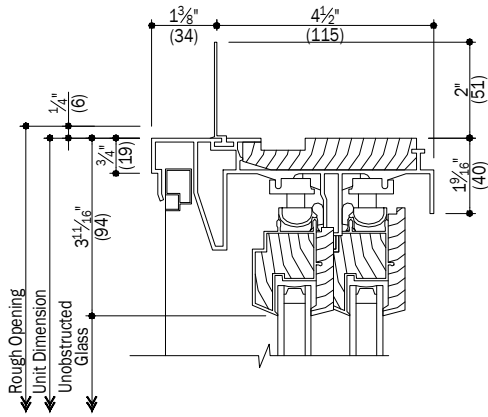
Details have been optimized for use in architectural software and do not match manufacturing specifications. Dimensions in parentheses are in millimeters.

See Pages 3 Thru 5 for Accessories

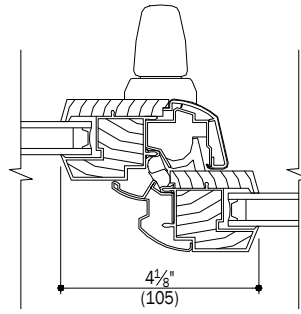
Date: 10/04/16  
Scale: None

# 400 SERIES

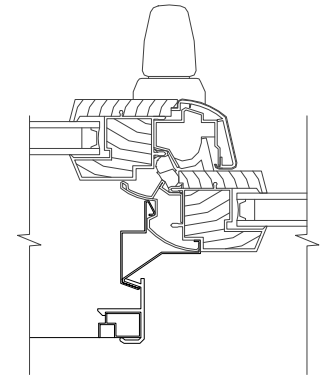
## Gliding Windows



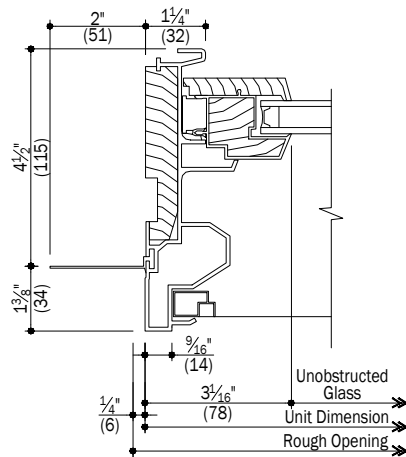
**(A)** Head  
2 Operating



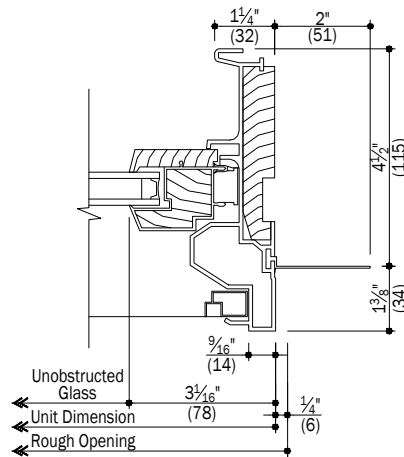
**(D)** Meeting Stile  
2



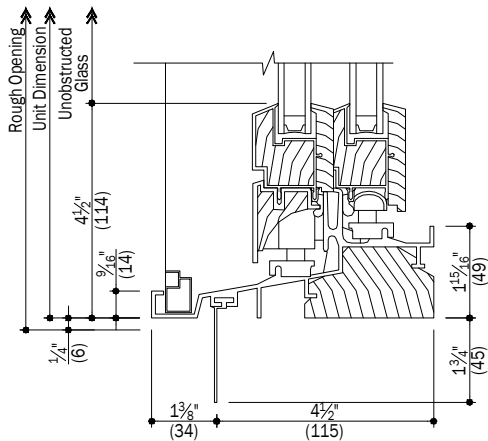
**(F)** Half Screen at Meeting Stile  
2 "Pass-Thru Gliding Insect Screen"



**(B)** Jamb - Left  
2 Operating



**(E)** Jamb - Right  
2 Operating



**(C)** Sill  
2 Operating

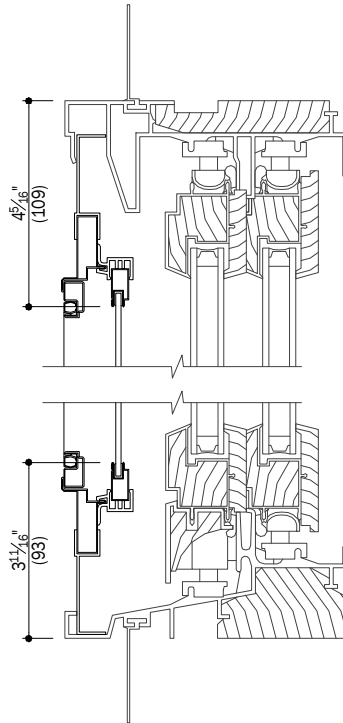
### Notes:

Details have been optimized for use in architectural software and do not match manufacturing specifications. Dimensions in parentheses are in millimeters.

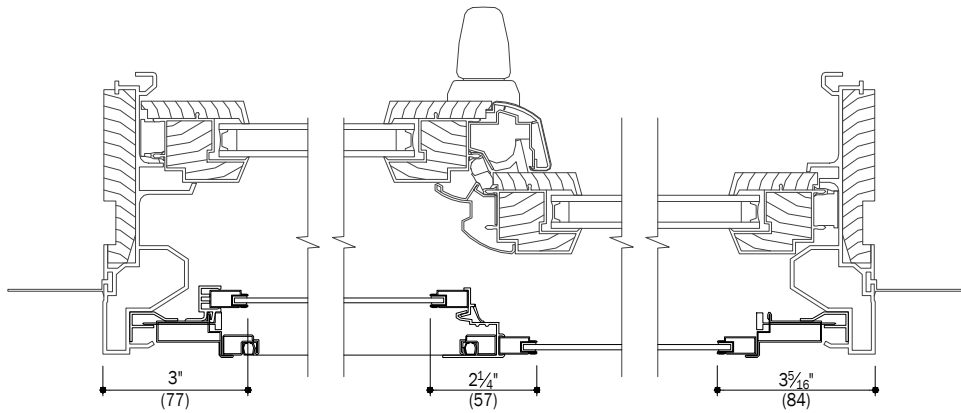
See Pages 3 Thru 5 for Accessories

Date: 10/04/16  
Scale: 3" (76) = 1' (305)

## Gliding Windows



**A**  
3 Storm/Insect Screen Combination Unit



**B**  
3 Storm/Insect Screen Combination Unit

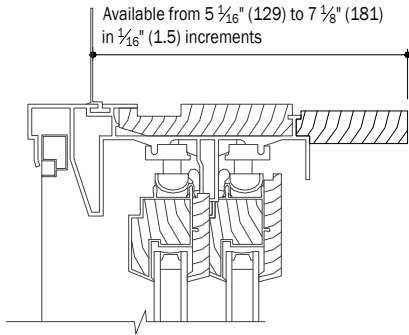
### Notes:

Details have been optimized for use in architectural software and do not match manufacturing specifications. Dimensions in parentheses are in millimeters.

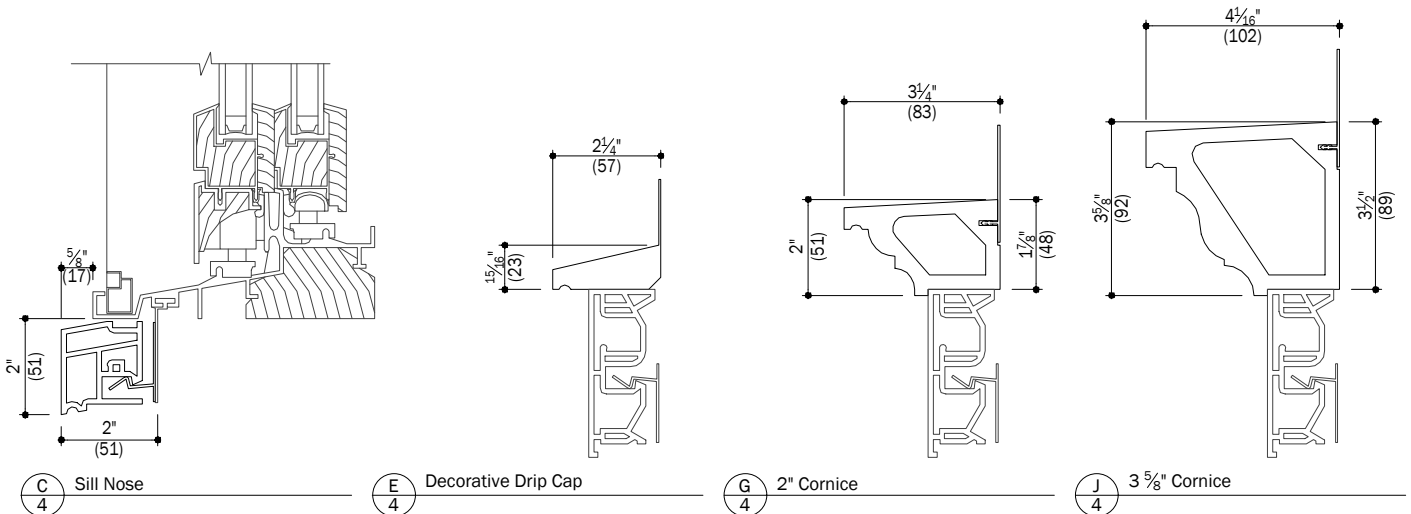
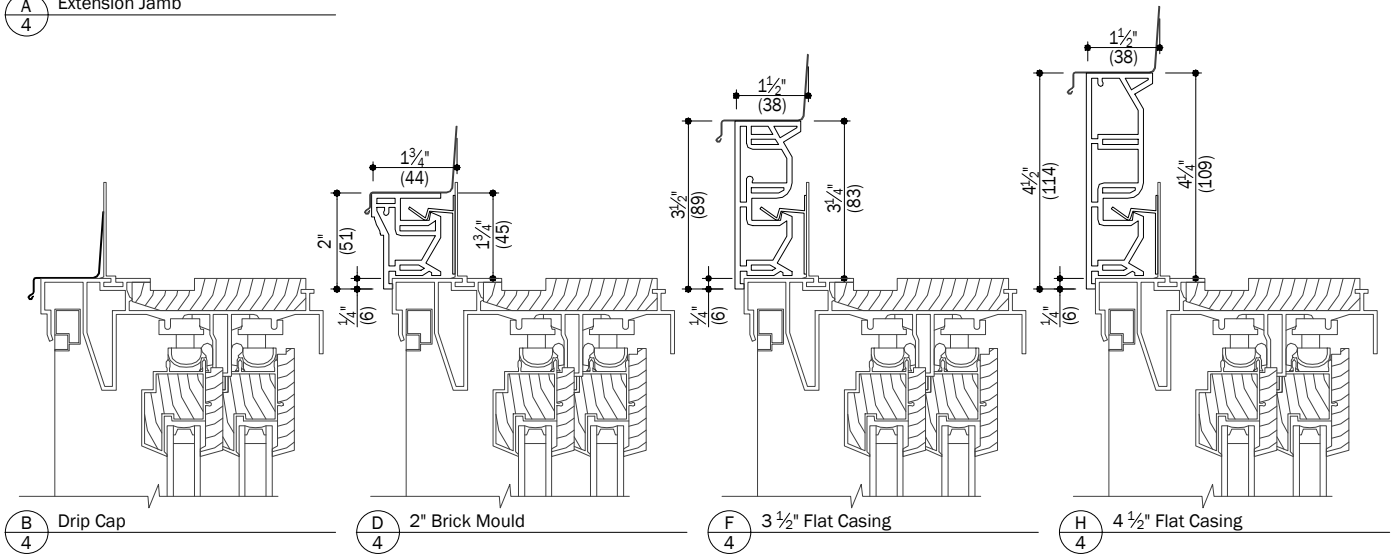
Date: 10/04/16  
 Scale: 3" (76) = 1' (305)

# 400 SERIES

## Gliding Windows Accessories



**A**  
4 Extension Jamb

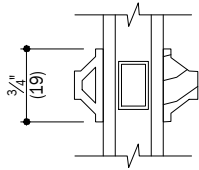


### Notes:

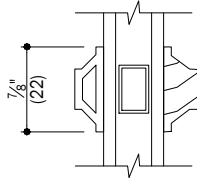
Details have been optimized for use in architectural software and do not match manufacturing specifications. Dimensions in parentheses are in millimeters.

# 400 SERIES

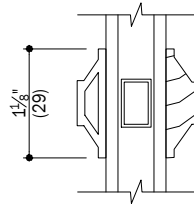
## Gliding Windows Accessories



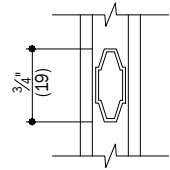
**A**  
5  $\frac{3}{4}$ " Full Divided Light



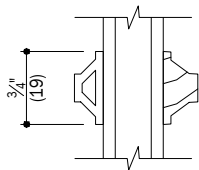
**E**  
5  $\frac{7}{8}$ " Full Divided Light



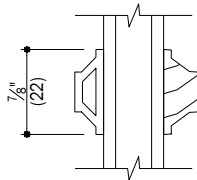
**J**  
5  $1\frac{1}{8}$ " Full Divided Light



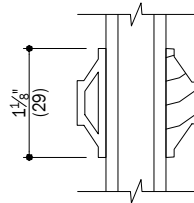
**M**  
5  $\frac{3}{4}$ " Finelight



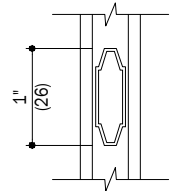
**B**  
5  $\frac{3}{4}$ " Simulated Divided Light  
Removable interior is available



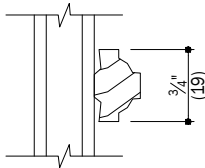
**F**  
5  $\frac{7}{8}$ " Simulated Divided Light  
Removable interior is available



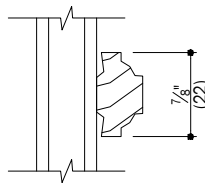
**K**  
5  $1\frac{1}{8}$ " Simulated Divided Light  
Removable interior is available



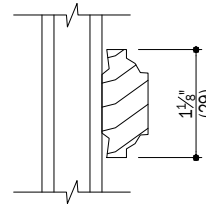
**N**  
5 1" Finelight



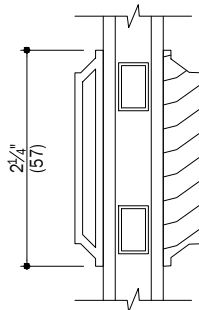
**C**  
5  $\frac{3}{4}$ " Removable Interior Grille



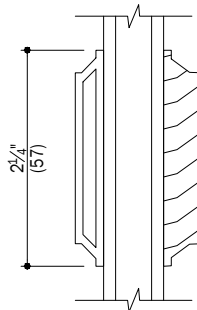
**G**  
5  $\frac{7}{8}$ " Removable Interior Grille



**L**  
5  $1\frac{1}{8}$ " Removable Interior Grille



**D**  
5  $2\frac{1}{4}$ " Full Divided Light  
Simulated check rail



**H**  
5  $2\frac{1}{4}$ " Simulated Divided Light  
Simulated check rail

### Notes:

Details have been optimized for use in architectural software and do not match manufacturing specifications. Dimensions in parentheses are in millimeters.