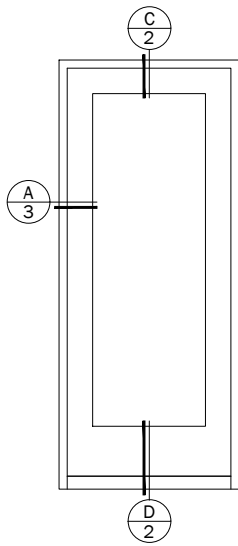
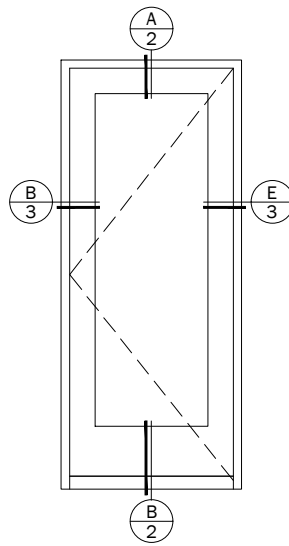


# 400 SERIES

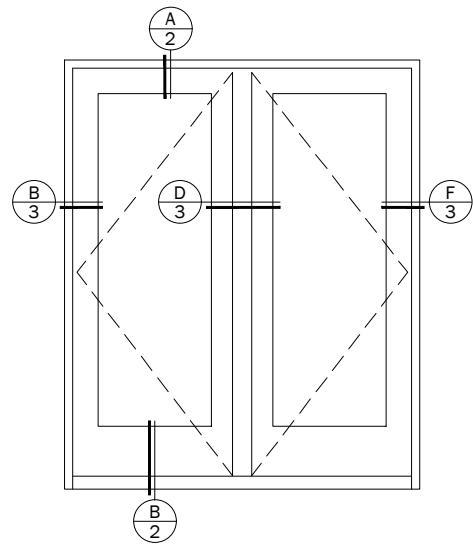
## Frenchwood® Hinged Patio Doors - Inswing



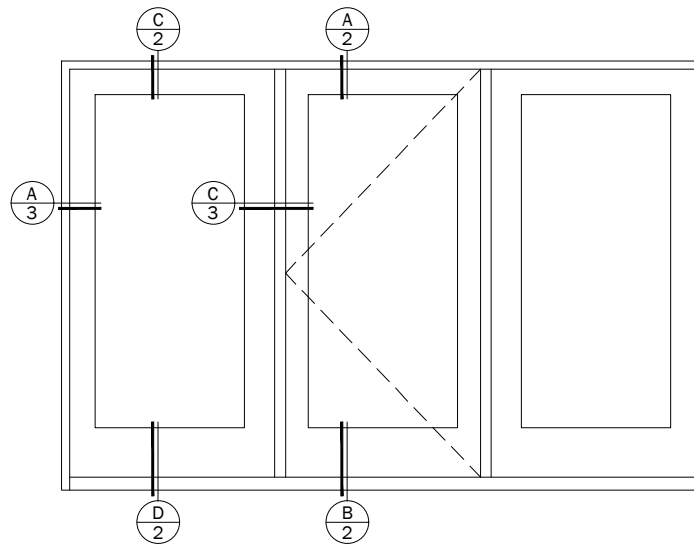
Frenchwood®  
Hinged Patio Door - Inswing  
(1-Panel)



Frenchwood®  
Hinged Patio Door - Inswing  
(1-Panel)



Frenchwood®  
Hinged Patio Door - Inswing  
(2-Panel)



Frenchwood®  
Hinged Patio Door - Inswing  
(3-Panel)

**Notes:**

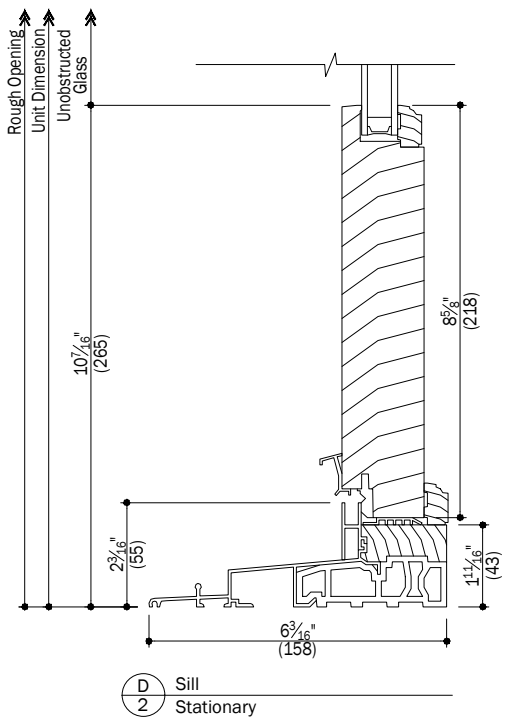
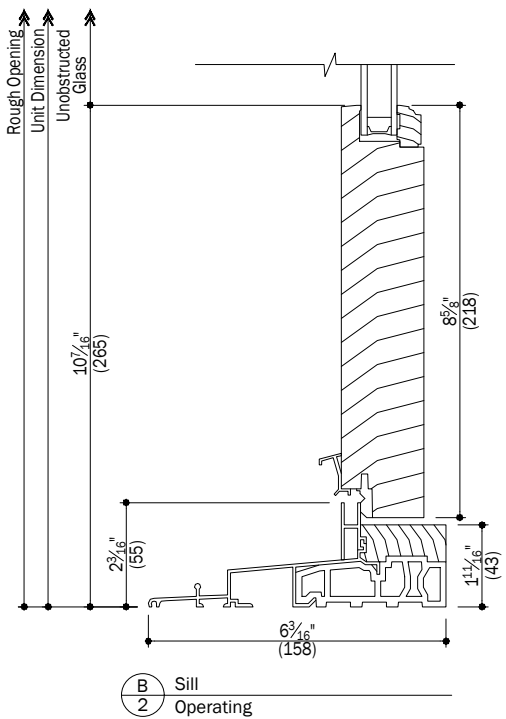
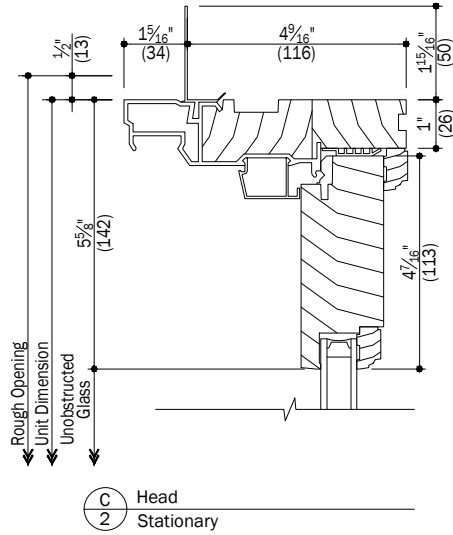
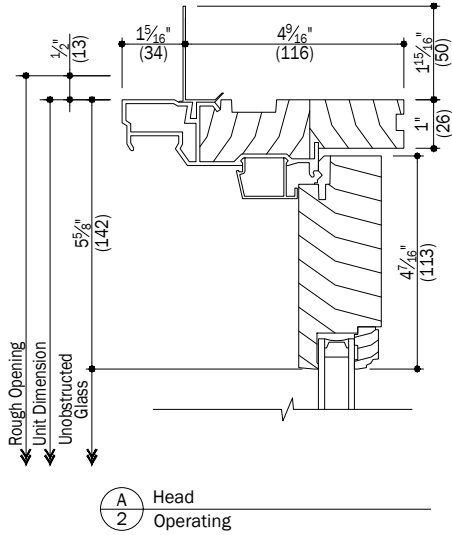
Details have been optimized for use in architectural software and do not match manufacturing specifications. Dimensions in parentheses are in millimeters.

See Pages 4 Thru 10 for Accessories

Date: 10/04/16  
Scale: None

# 400 SERIES

Frenchwood® Hinged Patio Doors - Inswing



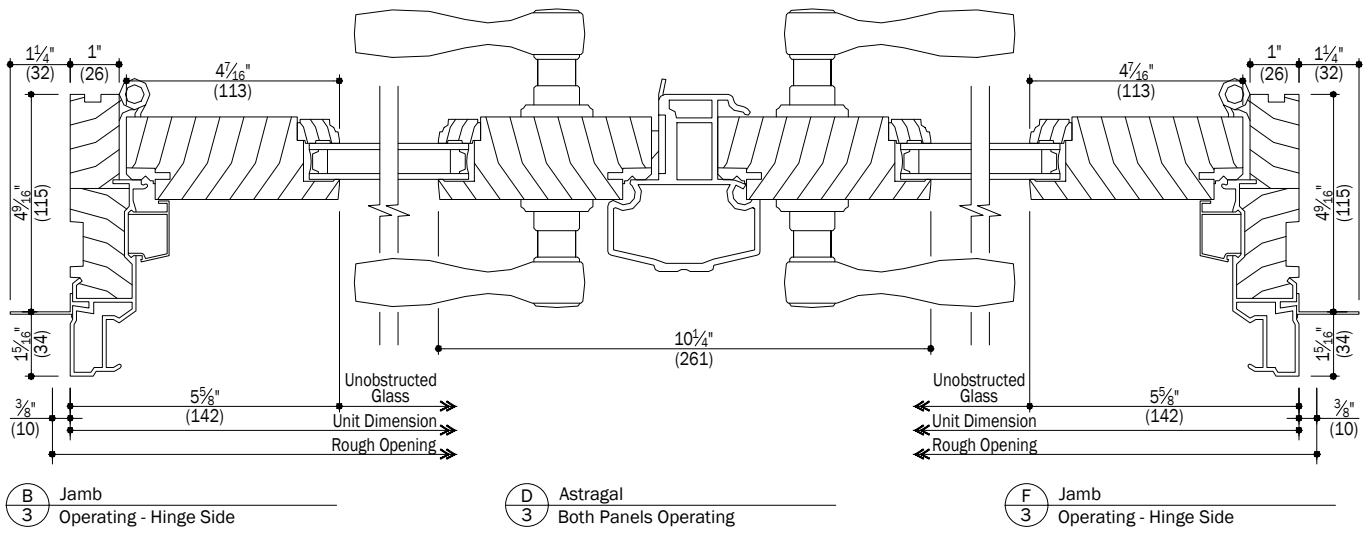
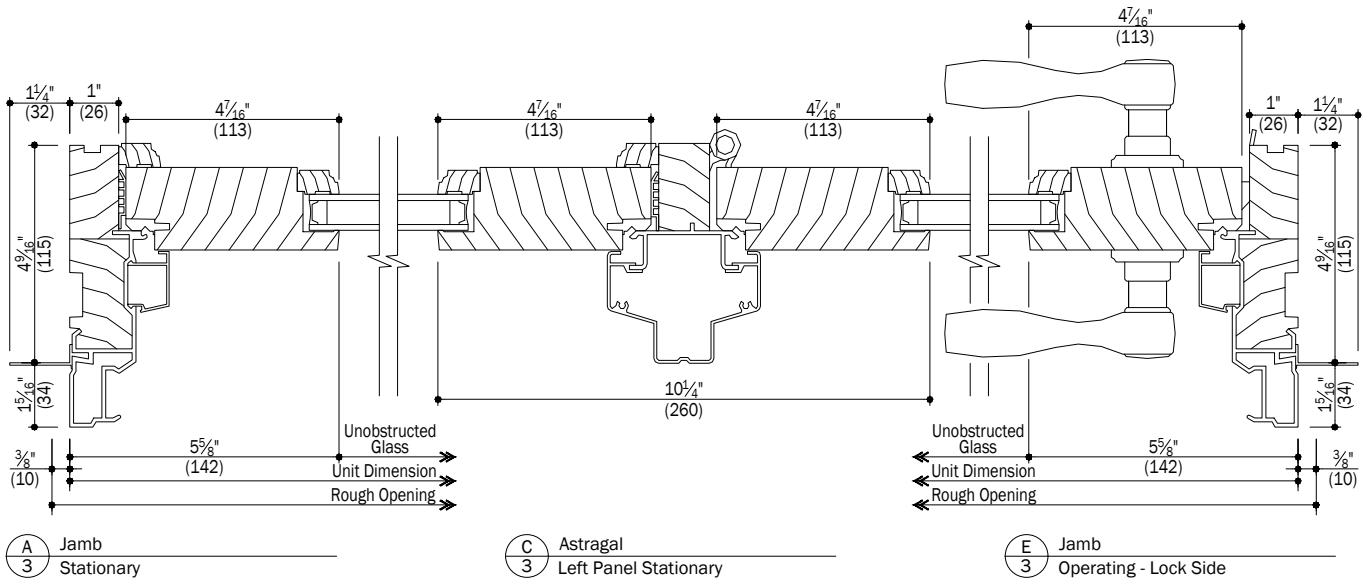
**Notes:**

Details have been optimized for use in architectural software and do not match manufacturing specifications. Dimensions in parentheses are in millimeters.

See Pages 4 Thru 10 for Accessories

# 400 SERIES

Frenchwood® Hinged Patio Doors - Inswing



**Notes:**

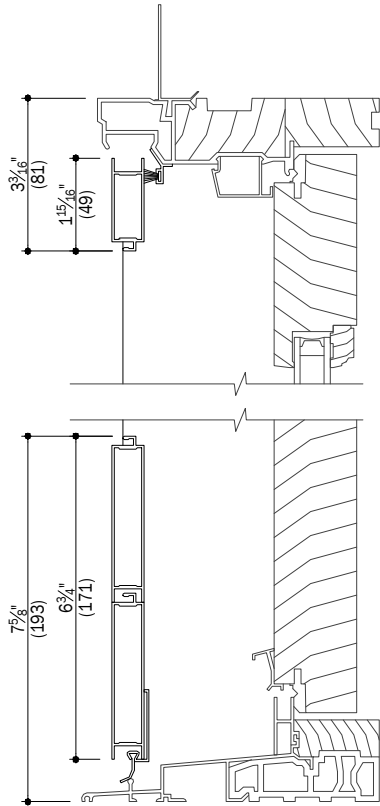
Details have been optimized for use in architectural software and do not match manufacturing specifications. Dimensions in parentheses are in millimeters.

See Pages 4 Thru 10 for Accessories

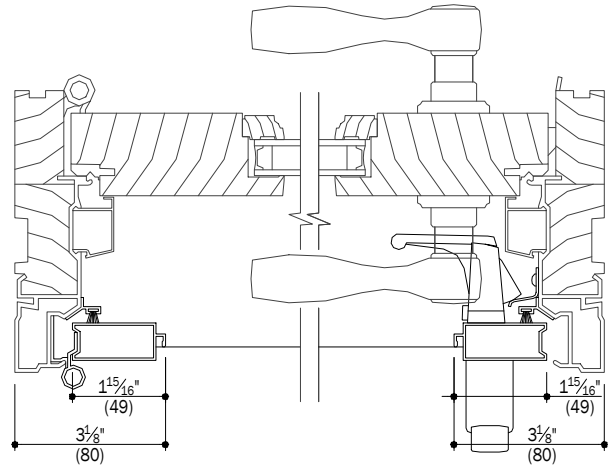
Date: 10/04/16  
Scale: 3" (76) = 1' (305)

# 400 SERIES

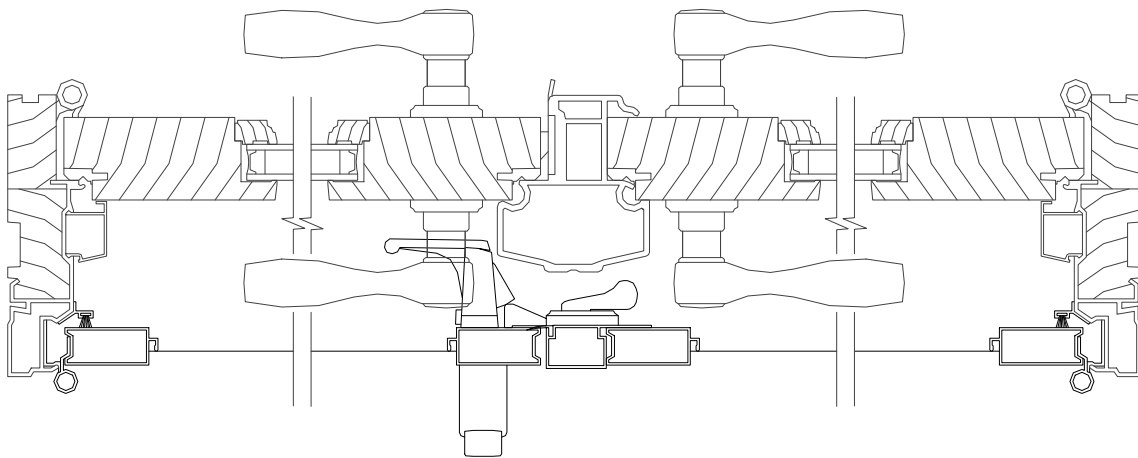
## Frenchwood® Hinged Patio Doors - Inswing Accessories



**A**  
4 Hinged Insect Screen



**C**  
4 Hinged Insect Screen  
Single Door



**B**  
4 Hinged Insect Screen  
Double Door

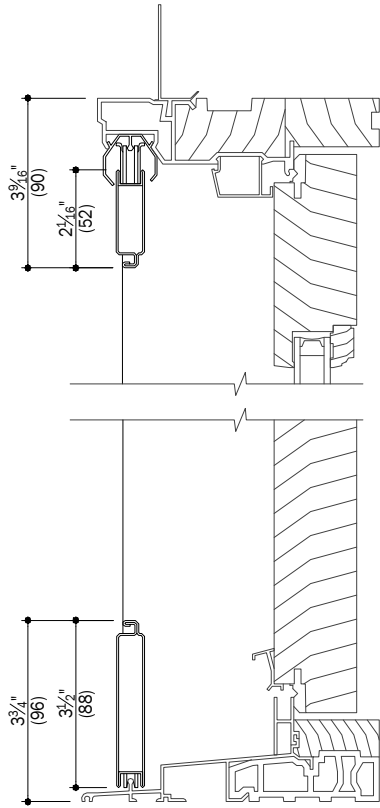
### Notes:

Details have been optimized for use in architectural software and do not match manufacturing specifications. Dimensions in parentheses are in millimeters.

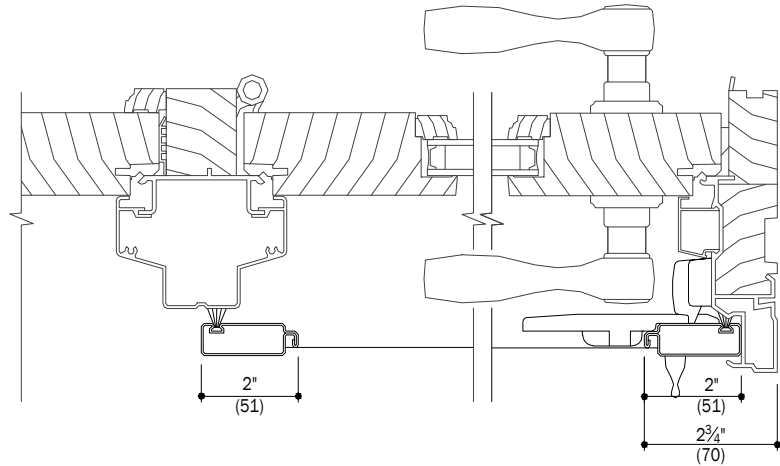
Date: 10/04/16  
Scale: 3" (76) = 1' (305)

# 400 SERIES

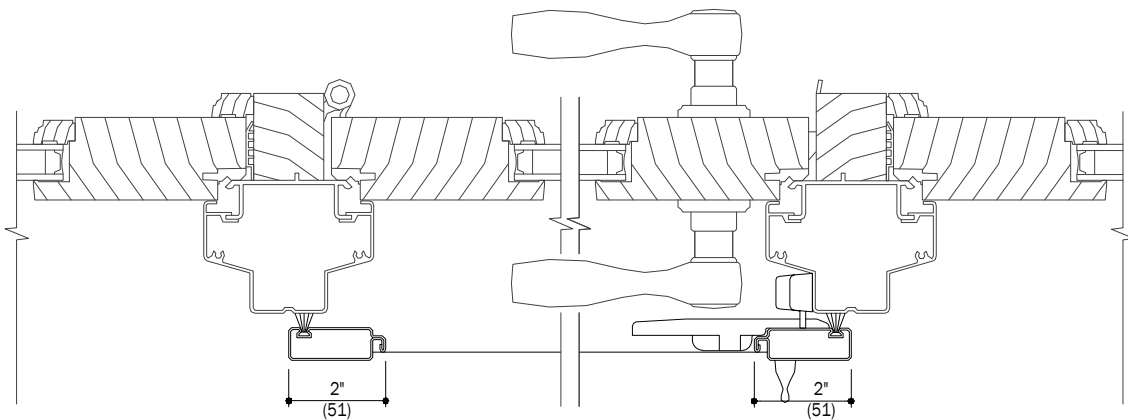
## Frenchwood® Hinged Patio Doors - Inswing Accessories



**A**  
5 Single Gliding Insect Screen  
For Center Hinged 2-Panel Doors  
and 3-Panel Doors



**C**  
5 Single Gliding Insect Screen  
Center hinged 2-panel door or a 3-panel door  
with a center stationary panel.



**B**  
5 Single Gliding Insect Screen  
3-panel door with center  
operating panel.

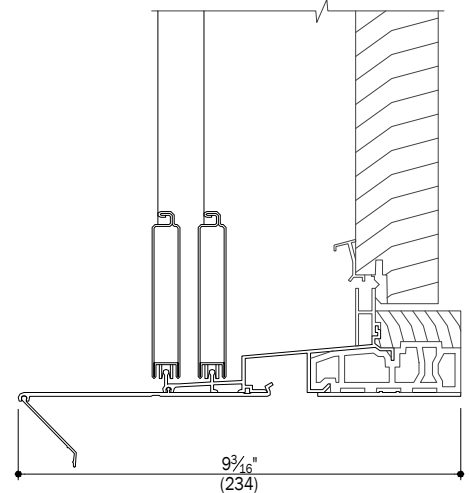
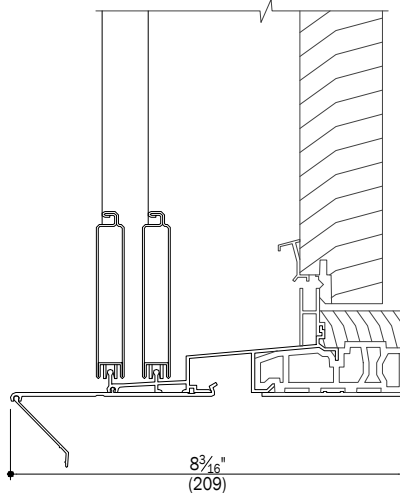
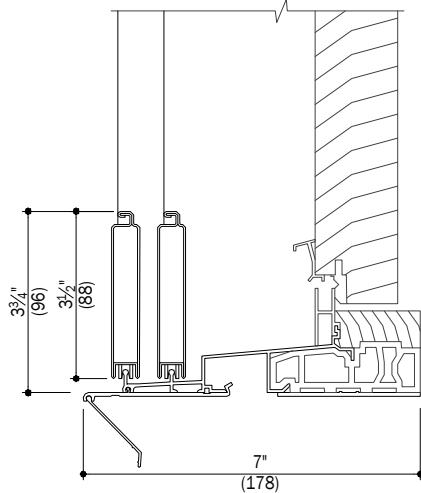
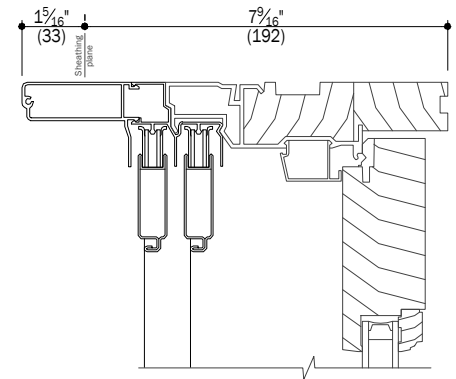
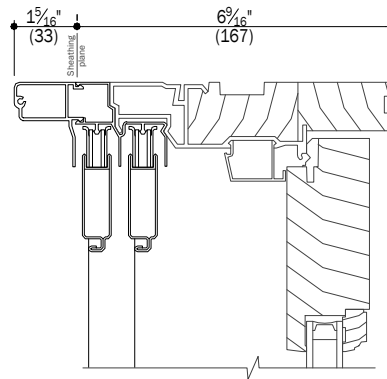
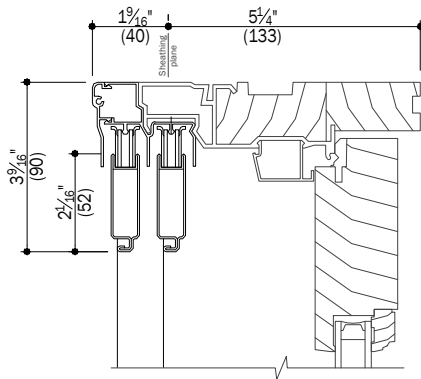
### Notes:

Details have been optimized for use in architectural software and do not match manufacturing specifications.  
Dimensions in parentheses are in millimeters.

Date: 10/04/16  
Scale: 3" (76) = 1' (305)

# 400 SERIES

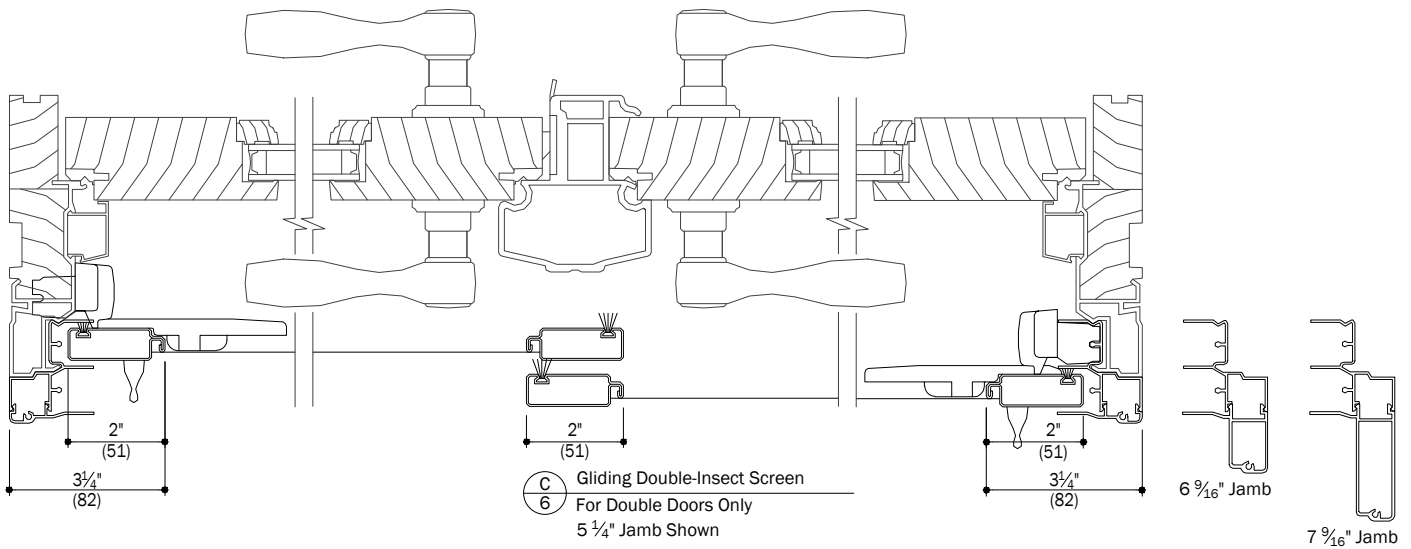
## Frenchwood® Hinged Patio Doors - Inswing Accessories



**A** Gliding Double-Insect Screen  
**6** 5 1/4" Jamb

**B** Gliding Double-Insect Screen  
**6** 6 5/16" Jamb

**D** Gliding Double-Insect Screen  
**6** 7 9/16" Jamb



**C** Gliding Double-Insect Screen  
**6** For Double Doors Only  
5 1/4" Jamb Shown

6 5/16" Jamb

7 9/16" Jamb

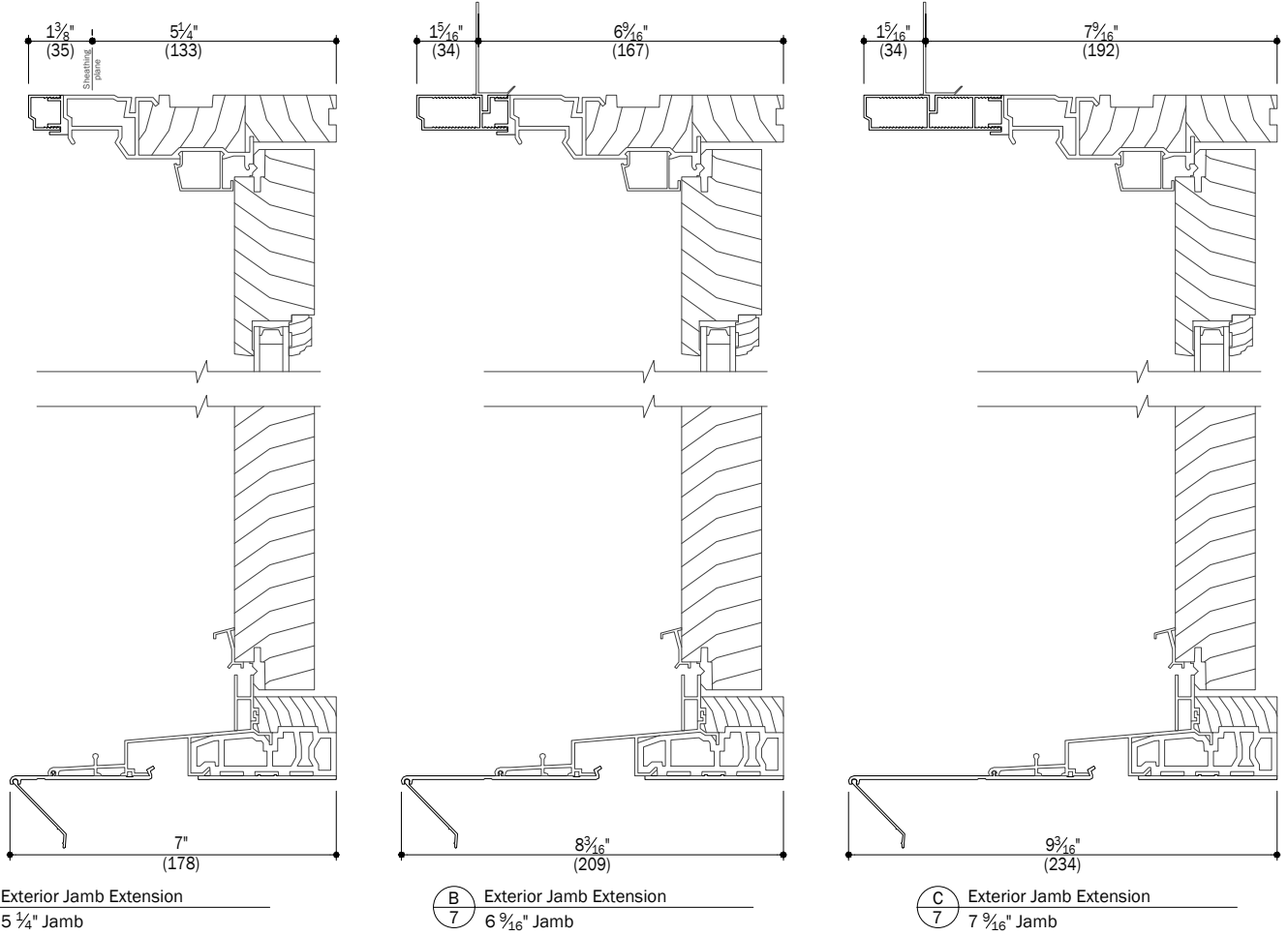
### Notes:

Details have been optimized for use in architectural software and do not match manufacturing specifications. Dimensions in parentheses are in millimeters.

Date: 10/04/16  
Scale: 3" (76) = 1' (305)

# 400 SERIES

## Frenchwood® Hinged Patio Doors - Inswing Accessories



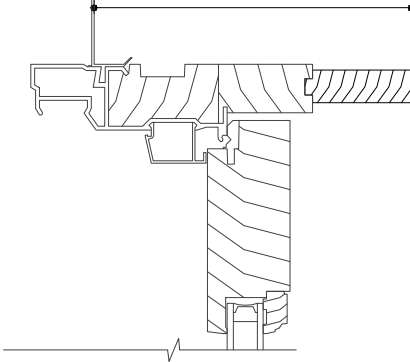
**Notes:**

Details have been optimized for use in architectural software and do not match manufacturing specifications. Dimensions in parentheses are in millimeters.

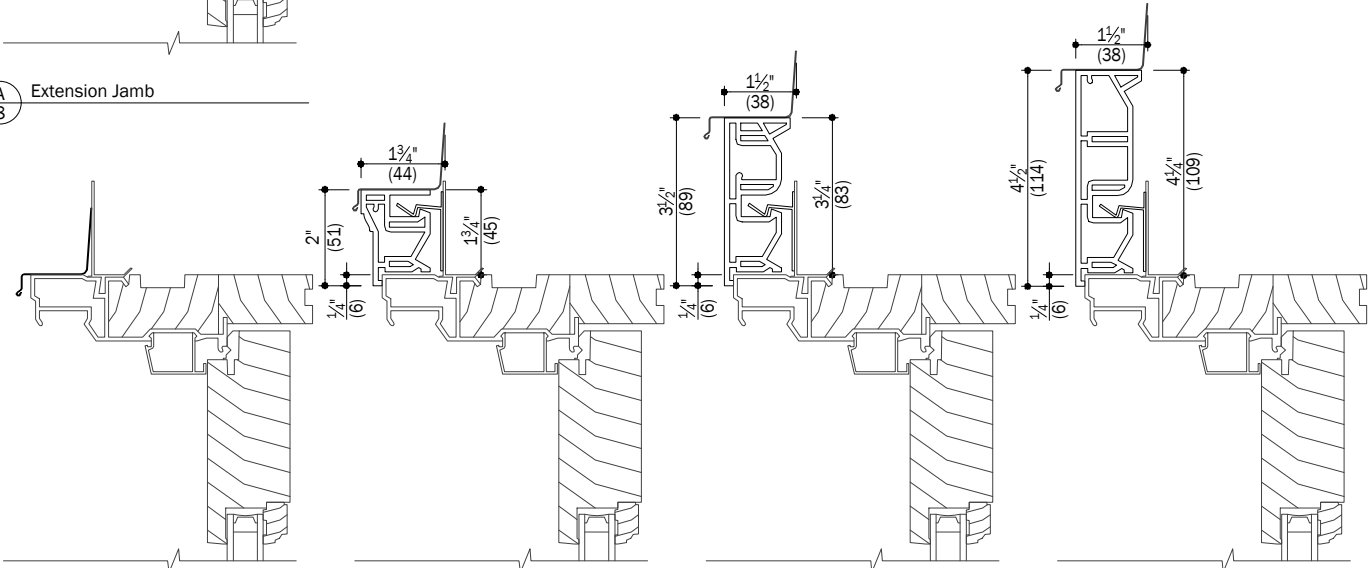
# 400 SERIES

## Frenchwood® Hinged Patio Doors - Inswing Accessories

Available from 5 1/16" (129) to 7 1/8" (181)  
in 1/16" (1.5) increments



**A**  
8 Extension Jamb

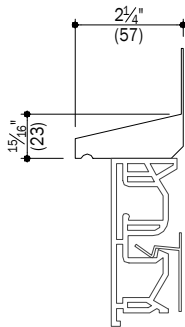


**B**  
8 Drip Cap

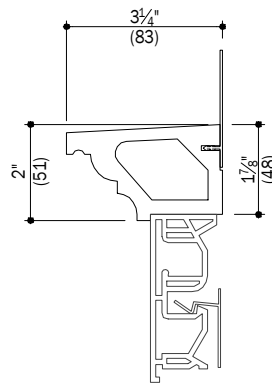
**D**  
8 2" Brick Mould

**E**  
8 3 1/2" Flat Casing

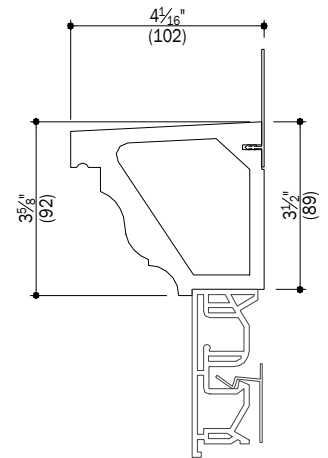
**G**  
8 4 1/2" Flat Casing



**C**  
8 Decorative Drip Cap



**F**  
8 2" Cornice



**H**  
8 3 5/8" Cornice

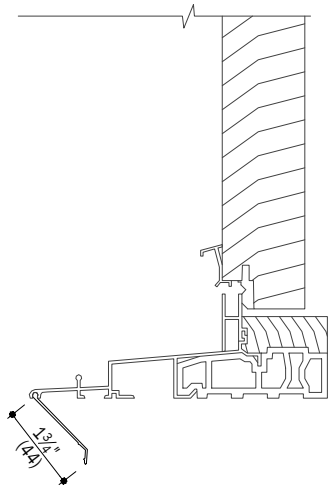
### Notes:

Details have been optimized for use in architectural software and do not match manufacturing specifications.  
Dimensions in parentheses are in millimeters.



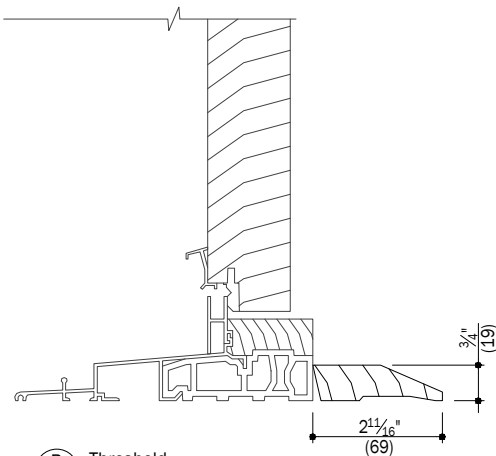
# 400 SERIES

Frenchwood® Hinged Patio Doors - Inswing  
Accessories



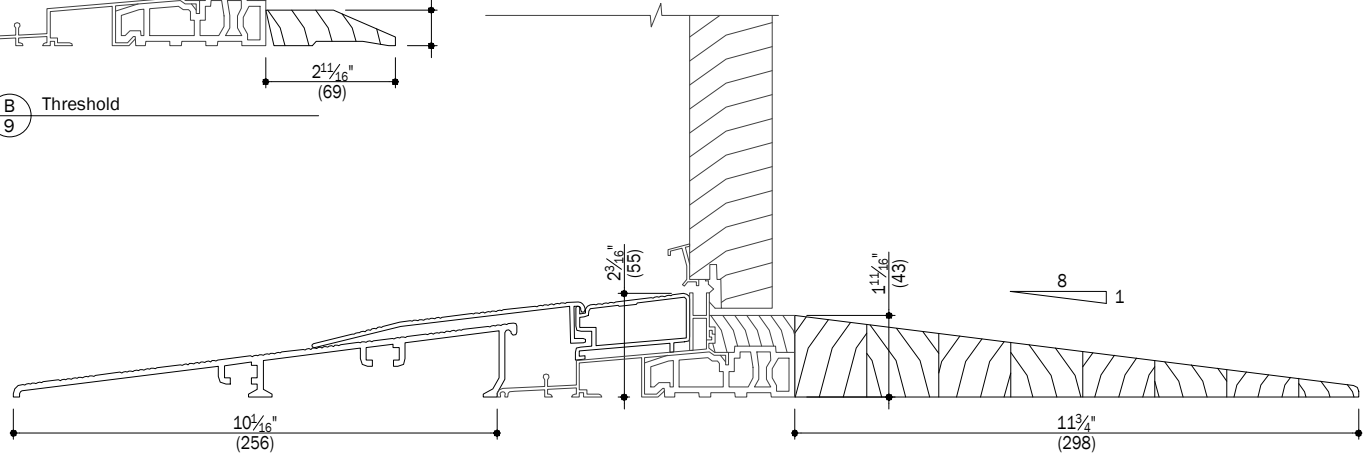
A  
9

Sill Support



B  
9

Threshold



C  
9

Ramped Sill Insert

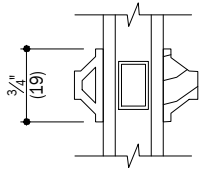
## Notes:

Details have been optimized for use in architectural software and do not match manufacturing specifications.  
Dimensions in parentheses are in millimeters.

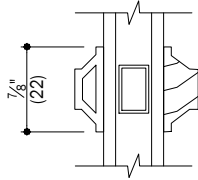
Date: 10/04/16  
Scale: 3" (76) = 1' (305)

# 400 SERIES

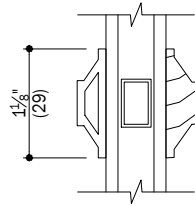
## Frenchwood® Hinged Patio Doors - Inswing Accessories



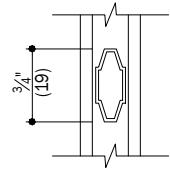
**A**  
10 3/4" Full Divided Light



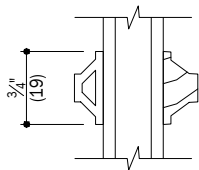
**E**  
10 7/8" Full Divided Light



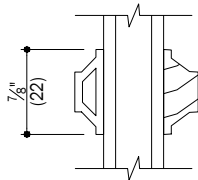
**J**  
10 1 1/8" Full Divided Light



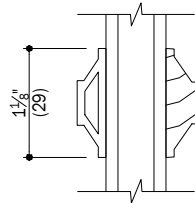
**M**  
10 3/4" Finelight



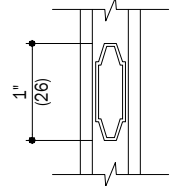
**B**  
10 3/4" Simulated Divided Light  
Removable interior is available



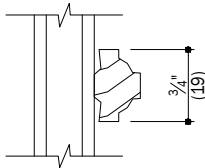
**F**  
10 7/8" Simulated Divided Light  
Removable interior is available



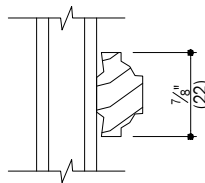
**K**  
10 1 1/8" Simulated Divided Light  
Removable interior is available



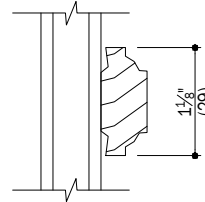
**N**  
10 1" Finelight



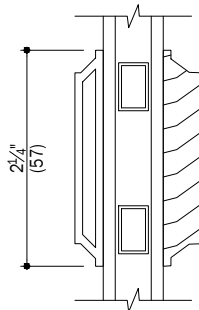
**C**  
10 3/4" Removable Interior Grille



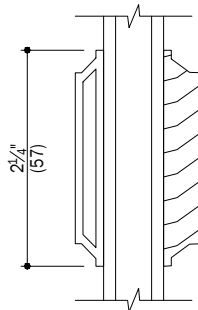
**G**  
10 7/8" Removable Interior Grille



**L**  
10 1 1/8" Removable Interior Grille



**D**  
10 2 1/4" Full Divided Light  
Simulated check rail



**H**  
10 2 1/4" Simulated Divided Light  
Simulated check rail

### Notes:

Details have been optimized for use in architectural software and do not match manufacturing specifications. Dimensions in parentheses are in millimeters.